

DC200 Rack & Pinion Door Closer

Application

- Rack and pinion closer with link arm L190
- Certified in compliance with EN 1154, size 2-4
- Suitable for fire and smoke protection doors
- for single action doors up to 1100 mm wide

Finish

- Silver EV1; white, similar to RAL9016; brown, similar to RAL8014; black, similar to RAL 9005
- Customised finishes available on request

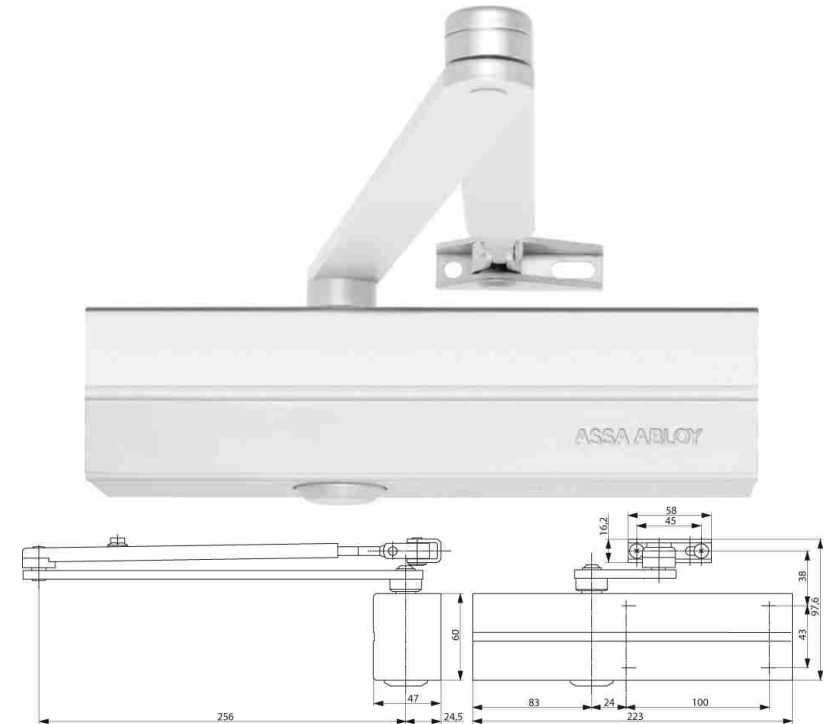
Standards

EN1154

4	8	4	1	1	4
		2			

Product Description

- Can be used with integrated concealed mounting plate, suitable for fire and smoke protection doors
- Can be used for left and right handed doors
- Link arm height adjustable up to 14 mm
- Adjustable Closing speed, latching speed and back check
- Thermodynamic valves for consistent performance
- Opening angle up to 180°



DC300 Rack & Pinion Door Closer

Application

- Rack and pinion closer with link arm L190
- Certified in compliance with EN 1154, size 3-6
- Suitable for fire and smoke protection doors
- For single action doors up to 1400 mm wide

Finish

- Silver EV1; white, similar to RAL9016; brown, similar to RAL8014; black, similar to RAL9005
- Customised finishes available on request

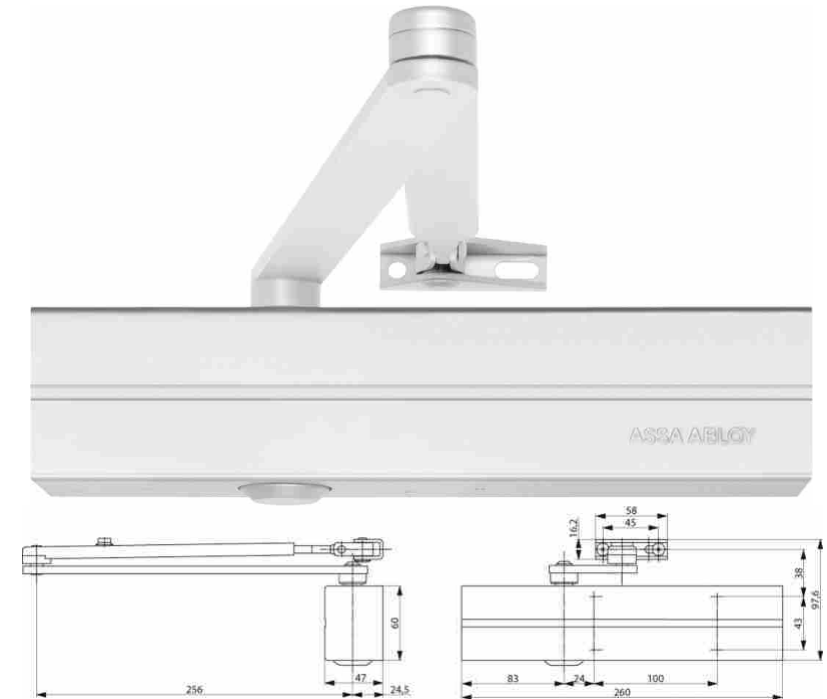
Standards

EN1154

4	8	6	1	1	4
		3			

Product Description

- Can be used with integrated concealed mounting plate, suitable for fire and smoke protection doors
- Can be used for left and right handed doors
- Link arm height adjustable up to 14mm
- Adjustable Closing speed, latching speed and back check
- Thermodynamic valves for consistent performance
- Opening angle up to 180°



DC340 Rack & Pinion Door Closer

Application

- Rack and pinion door closer with height-adjustable guide rail G195 or standard guide rail G193
- Certified in compliance with EN1154, size 2-6 (with link arm L190 and hold-open arm L191)
- Certified in compliance with EN1154, size 1-4 (with guide rail arm)
- Suitable for fire and smoke protection doors
- For single action doors up to 1100 mm wide (guide rail) and 1400 mm (link arm)

Finish

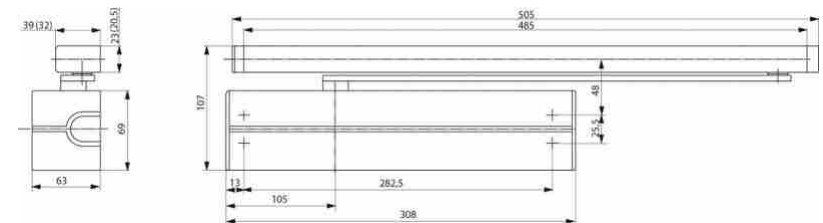
- Silver EV1; white, similar to RAL9016; brown, similar to RAL8014; black, similar to RAL9005
- Customised finishes available on request

Standards

EN1154

Product Description

- Can be used with integrated concealed mounting plate, suitable for fire and smoke protection doors
- Can be used for left and right-handed doors
- Axis continuously height adjustable up to 14 mm
- Closing speed, latching speed and backcheck adjustable via front facing regulating valves
- Thermodynamic valves for consistent performance
- Variable adjustable closing force
- Opening angle up to 180°
- Large range of applications



DC347 Rack & Pinion Door Closer

Application

- Rack and pinion door closer with extra strong link arm L197
- Certified in compliance with EN 1154, size 5 - 7
- Suitable for fire and smoke protection doors
- For single action doors up to 1600 mm wide

Finish

- Standard colours: silver EV1; white, similar to RAL9016; brown, similar to RAL8014; black, similar to RAL9005
- Customised finishes available on request

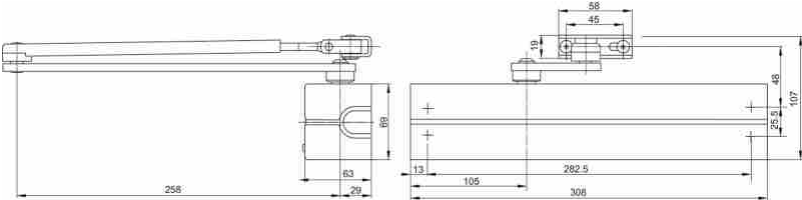
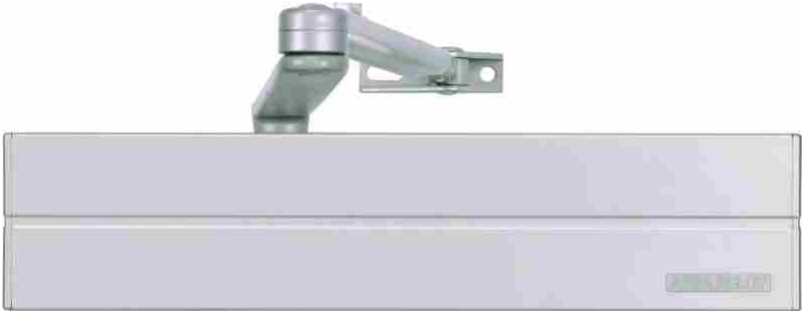
Standards

EN1154

4	8	5	1	1	4
		7			

Product Description

- For single action doors up to 1600 mm wide
- Can be used with integrated concealed mounting plate, suitable for fire and smoke protection doors
- Can be used for left and right handed doors
- Axis height-adjustable up to 14 mm
- Closing speed, latching speed and backcheck adjustable via front facing regulating valves
- Thermodynamic valves for consistent performance
- Variable adjustable closing force
- Opening angle up to 180°
- For heavy door applications



DC500 Cam Action Door Closer

Application

- Certified compliance with EN 1154, size 1-4
- Low opening force to aid compliance with Equality Act/ BS8300
- Suitable for fire and smoke protection doors
- For single action doors up to 1100 mm wide
- Can be used for left and right handed doors

Finish

- Silver EV1; white, similar to RAL9016; brown, similar to RAL8014; black, similar to RAL9005
- Customised finishes available on request

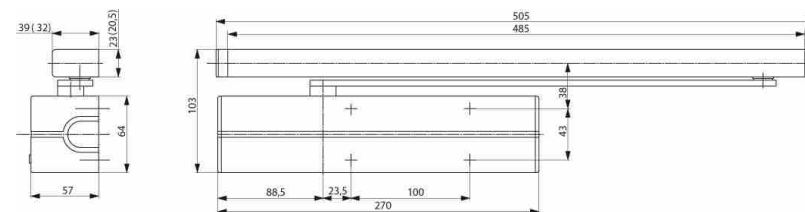
Standards

EN1154

3	8	4	1	1	4
		1			

Product Description

- CamMotion Technology and height adjustable guide rail G195 or standard guide rail G193
- Can be used in four installation types: hinge and non-hinge sides in standard and frame installation
- Can be used with integrated concealed mounting plate
- Axis continuously height adjustable up to 14 mm
- Adjustable Closing speed, latching speed and backcheck
- Thermodynamic valves for consistent performance
- Opening angle up to 170°
- Effective back check and latching speed range adjustable



DC700 Cam Action Door Closer

Application

- Certified compliance with EN 1154, size 3-6
- Low opening force to aide compliance with Equality Act/ BS8300
- Suitable for fire and smoke protection doors
- For single action doors up to 1400 mm wide
- Can be used for left and right handed doors

Finish

- Silver EV1; white, similar to RAL9016; brown, similar to RAL8014; black, similar to RAL9005
- Customised finishes available on request

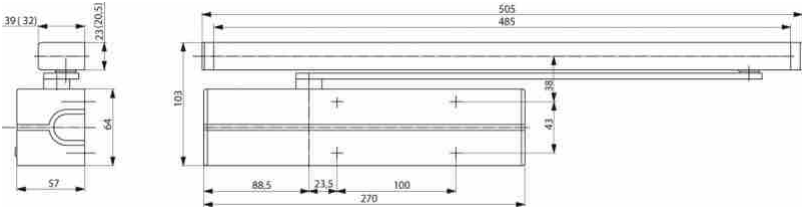
Standards

EN 1154

3	8	6	1	1	4
		3			

Product Description

- CamMotion Technology and height adjustable guide rail G195 or standard guide rail G193
- Can be used with integrated concealed mounting plate
- Axis continuously height adjustable up to 14 mm
- Adjustable Closing speed, latching speed and back check
- Thermodynamic valves for consistent performance
- Opening angle up to 170°



DC840 Concealed CAM Motion Door Closers

Application

- Concealed door closer with Cam-Motion technology and small standard concealed guide rail G892 or standard concealed guide rail G893
- Fullfills barrier-free building requirements (DDA/CEN PR 15894)
- Certified in compliance with EN 1154, size 1-4
- Suitable for fire and smoke protection doors
- For single action doors up to 1100 mm wide

Finish

- Silver EV1
- Customized finishes available on request

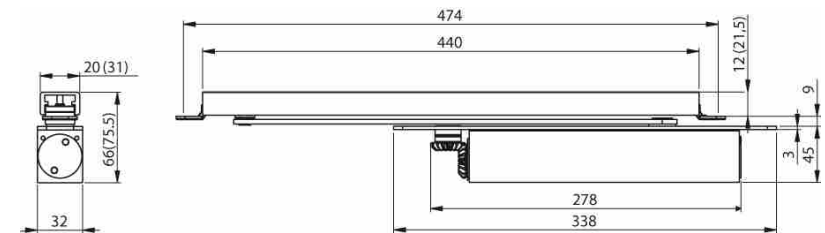
Standards

EN 1154

3	8	4	1	1	3
		1			

Product Description

- Can be used for left and right-handed doors
- Closing speed and latching speed adjustable from top via regulating valves
- Built-in backcheck
- Thermodynamic valves for consistent performance
- Opening angle up to 120°
- Large range of applications
- Versions with 4 mm and 8 mm spindle extensions



DC860 Concealed CAM Motion Door Closers

Application

- Concealed door closer with Cam-Motion technology and small standard concealed guide rail G893
- Fullfills barrier-free building requirements (DDA/CEN PR 15894)
- Certified in compliance with EN 1154, size 1-5
- Suitable for fire and smoke protection doors
- For single action doors up to 1250 mm wide

Finish

- Silver EV1
- Customized finishes available on request

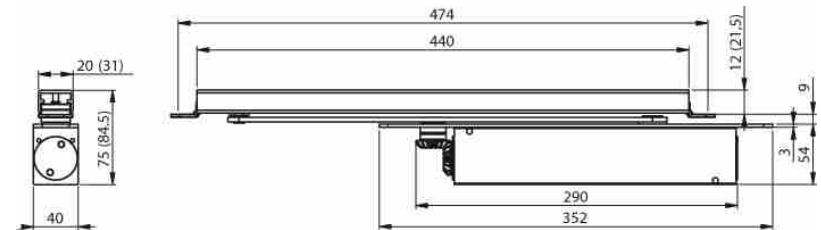
Standards

- EN 1154

3	8	5	1	1	2
		1			

Product Description

- Can be used for left and right-handed doors
- Closing speed and latching speed adjustable from top via regulating valves
- Built-in backcheck
- Thermodynamic valves for consistent performance
- Opening angle up to 120°
- Large range of applications
- Versions with 4 mm and 8 mm spindle extensions



DC700G-E DC700G-E - Door Closer

Application

- Certified in compliance with EN 1154/1155, size 3-6
- Door closer with Cam-Motion® technology with electro-mechanical hold-open device for single leaf doors
- Hold-open device is traversable
- For fire and smoke protection doors up to 1400 mm
- Fulfils barrier-free building requirements (DIN 18040 / CEN TR 15894)
- DIBt approval with different smoke detection systems

Finish

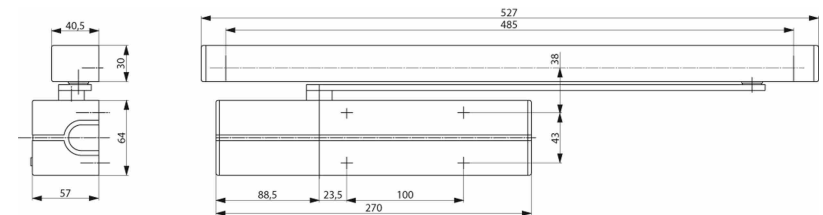
- Standard colours: silver EV1, white similar to RAL9016, stainless steel design
- Customised finishes available on request

Standards

- EN 1154/1155
- 3, 8, 6/3, 1, 1, 4

Product Description

- Supply line 24 V DC, flush or surface mounting
- Hold-open angle continuously adjustable between ca. 80° and 130°
- Axis continuously height adjustable up to 14 mm
- Adjustable Closing speed, latching speed and backcheck
- Thermodynamic valves for consistent performance



DC700G-FT DC700G-FT - Door Closer

Application

- Certified compliance with EN 1154, size 3-6
- Cam-Motion® technology, extended mounting plate and integrated latch bolt, extended guide rail with integrated escape door strike
- Suitable for retrofit to fire doors with guide rail door closers and fastening using drilling template acc. to DIN EN 1154
- Escape door strike 332®, tested in compliance with the guideline for electrical locking systems for doors along escape routes
- For single leaf doors, doors between 850 - 1,200 mm wide

Finish

- Standard colours: silver EV1, stainless steel

Standards

EN 1154

3, 8, 6/3, 1, 1, 4

Product Description

- Integrated escape door strike 332® in extended guide rail
- Integrated latch bolt 807 on extended mounting plate
- Adjustable Closing speed, latching speed and backcheck
- Thermodynamic valves for consistent performance



DC700G-FT BGS DC700G-FT BGS - Door Closer

Application

- Certified in compliance with EN 1154, size 3-6
- Cam-Motion® technology, incorporating extended mounting plate and integrated escape strike within extended guide rail
- Suitable for retrofitting on electrical locking device on doors without fire and smoke protection.
- Escape door strike 332®, tested in compliance with the guideline for electrical locking systems for doors along escape routes
- For single leaf doors, doors between 850 - 1,200 mm wide

Finish

- Standard colours: silver EV1, stainless steel

Standards

EN 1154

3, 8, 6/3, 1, 1, 4

Product Description

- Integrated escape door strike 332® in extended guide rail
- Integrated latch bolt 807 on extended mounting plate
- Adjustable Closing speed, latching speed and backcheck
- Thermodynamic valves for consistent performance

